

# AT VICM 201 CCU Central Communication Unit

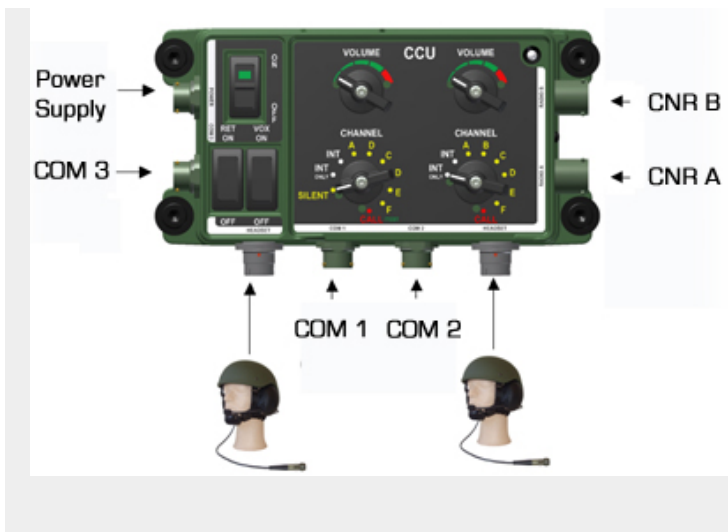
## AT VICM 201 CCU Central Communication Unit

CCU is a core of the Software Defined Intercom System AT VICM 200 COMBAT. Two headsets (ANR) with full access to Intercom and CNRs can be connected to CCU.

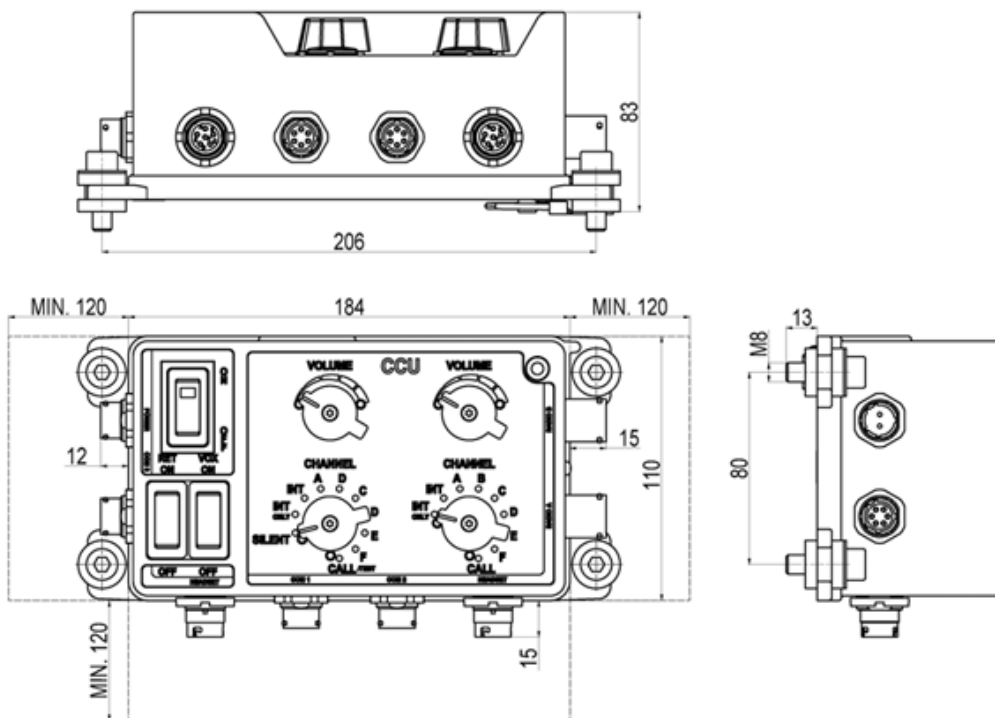


- ✓ Interfaces to 2 CNRs
- ✓ Data capable CNRs supported
- ✓ 2 crew members with full access to intercom and CNRs
- ✓ Direct connection of 3 system units (BCU, REU, SAI or WSCU)
- ✓ ANR supported
- ✓ Retransmission control
- ✓ VOX or PTT operation
- ✓ Built-In-Test for the whole system
- ✓ Volume control for each crew member
- ✓ Priority CALL to all crew members
- ✓ Can be extended with an integrated recorder if required

## Connection



Dimensional drawing  
[AT Communication ©](#)



### Technical parameters



Dimensions (W x H x D)	(226 x 121,5 x 83) mm
Weight max.	1,5 kg
Nominal supply voltage	28 V DC
Operating temperature	-35°C to +60°C
Storage temperature	-40°C to +71°C
Environment	MIL-STD-461E, MIL-STD-810F

**AT VICM 201 CCU Central Communication Unit - Military Intercom System**