

AT VICM 212 - FTI - Field Telephone Interface

AT VICM 212 - FTI - Field Telephone Interface

FTI is an extension unit of the Software Defined Intercom System VICM 200 COMBAT. It allows to connect a LB/CB Field Telephone using two-wire line.



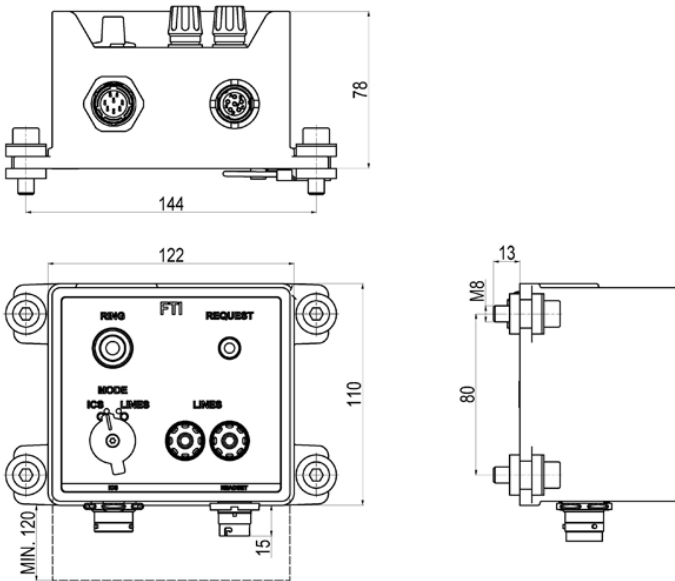
- ✓ Connection of 1 headset (ANR)
- ✓ Interface for the Field Telephone
- ✓ Generates ringing signal for LB/CB field phone
- ✓ Generates acoustic and optical signals of field phone ringing
- ✓ Connected to headset port on CCU, BCU or SAI

Connection



A

Dimensional drawing



Technical parameters

- Dimensions (W x H x D) 164 x 121,5 x 83) mm
- Weight max. 1,1 kg
- Nominal supply voltage 28 V DC
- Operating temperature -35°C to +60°C
- Storage temperature -40°C to +71°C
- Environment MIL-STD-461E, MIL-STD-810F



AT VICM 212 - FTI - Field Telephone Interface - Military Intercom